
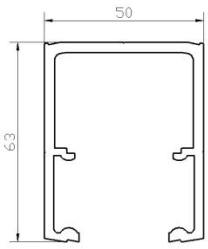
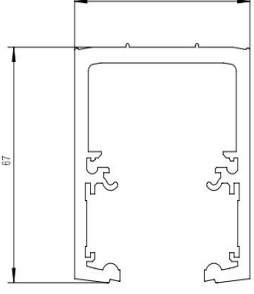
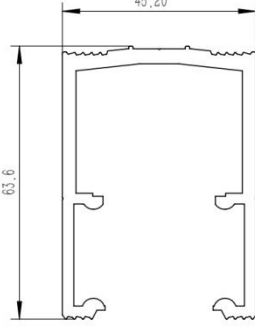
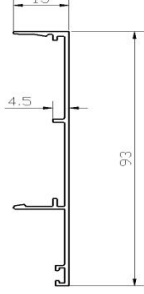
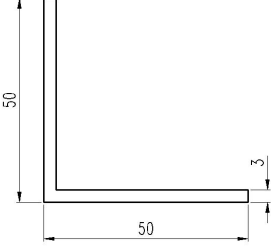


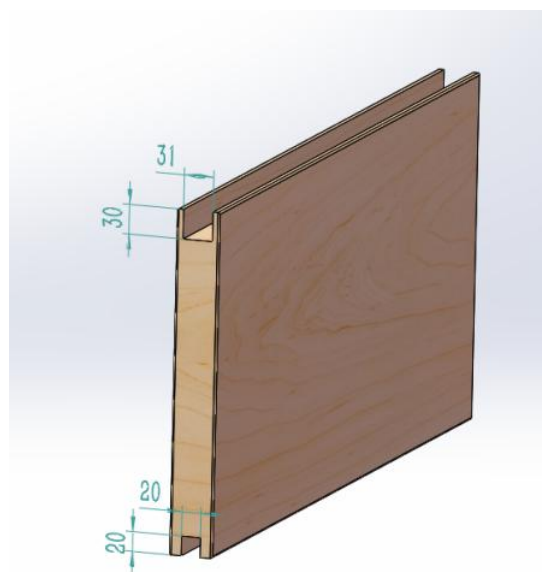
## ◆ Yunhuaqi Magnetic Levitation Intelligent Sliding System(General type)

Product information		Model .No	Specification (mm)	Single open system adapts to wall opening size(mm)	Single system (strip)	The bi-parting system adapts to wall opening size(mm)	The bi-parting system (strip)
Maglev track system (General type)		36/42/48	1800	1300-1800	1	(1300-1800)X2	2
			2400	1800-2400	1	(1800-2400)X2	2
			3000	2400-3000	1	(2400-3000)X2	2

## ◆ Track Frame Introduction

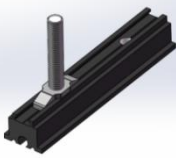
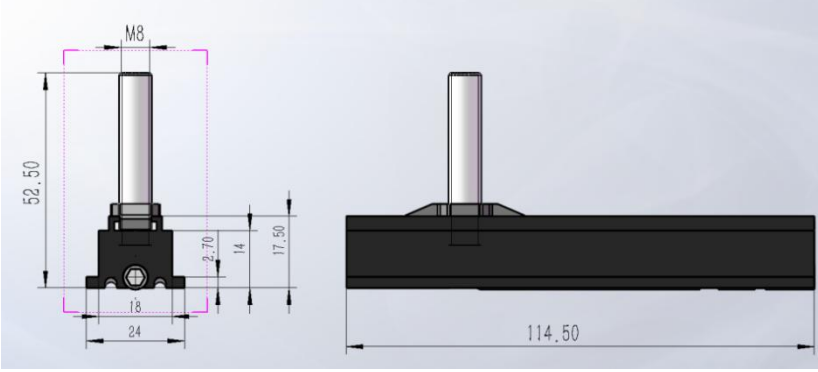

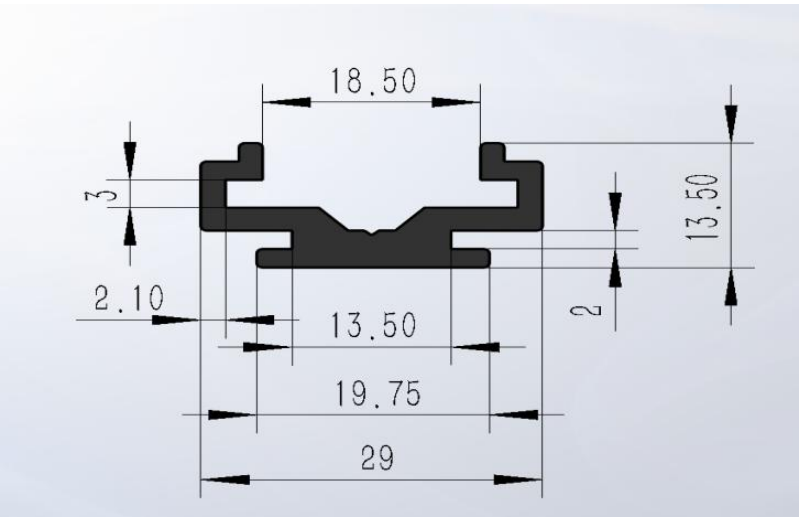
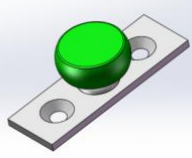
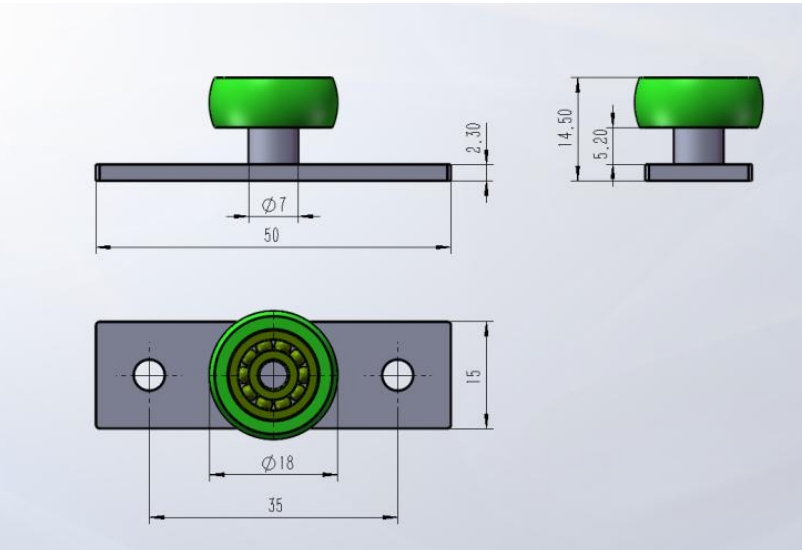
Track1	Track2	Track3	Cover plate	Side mounted aluminum (Optional)
				

## ◆ Schematic Diagram of the Door

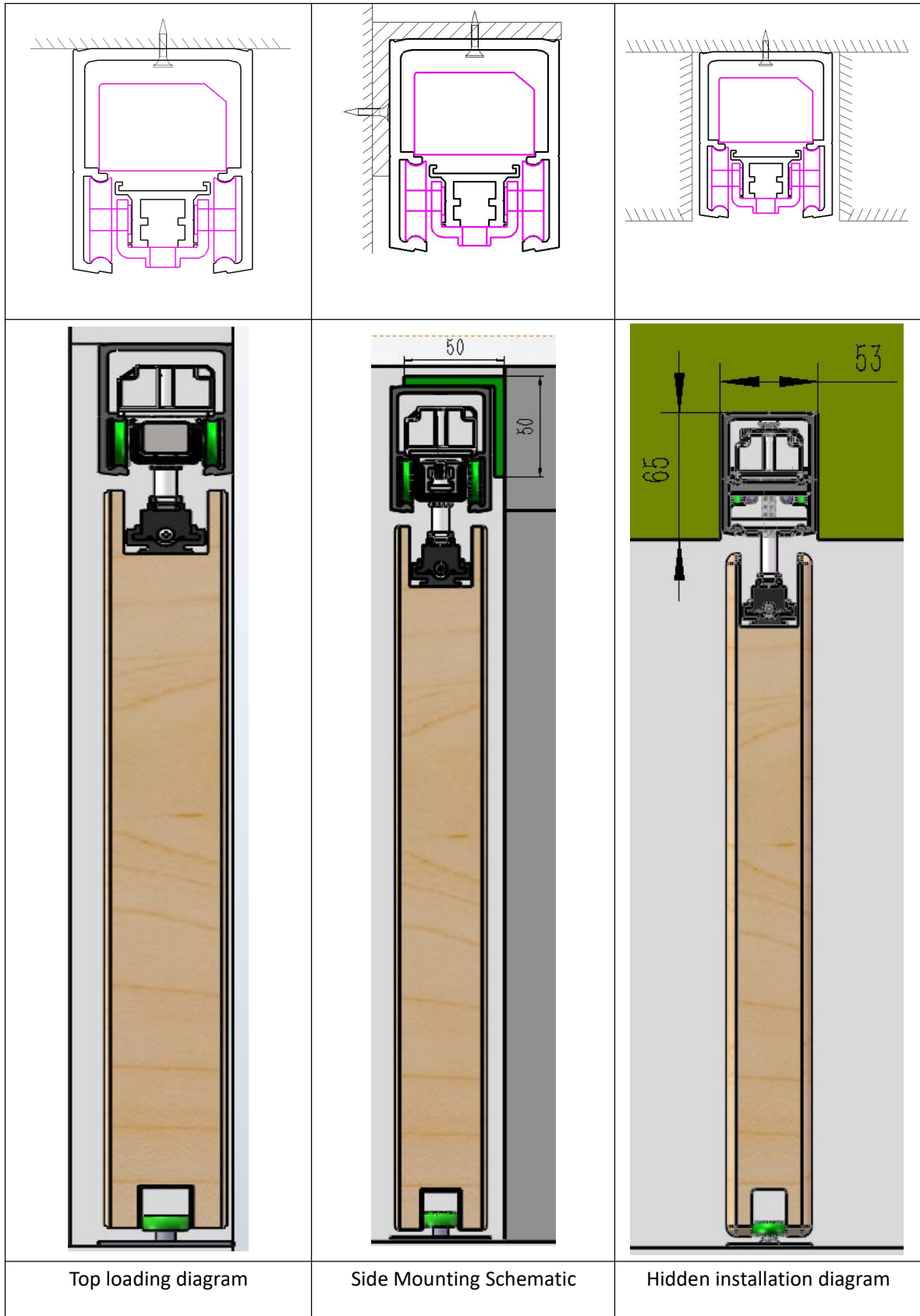


Wooden door

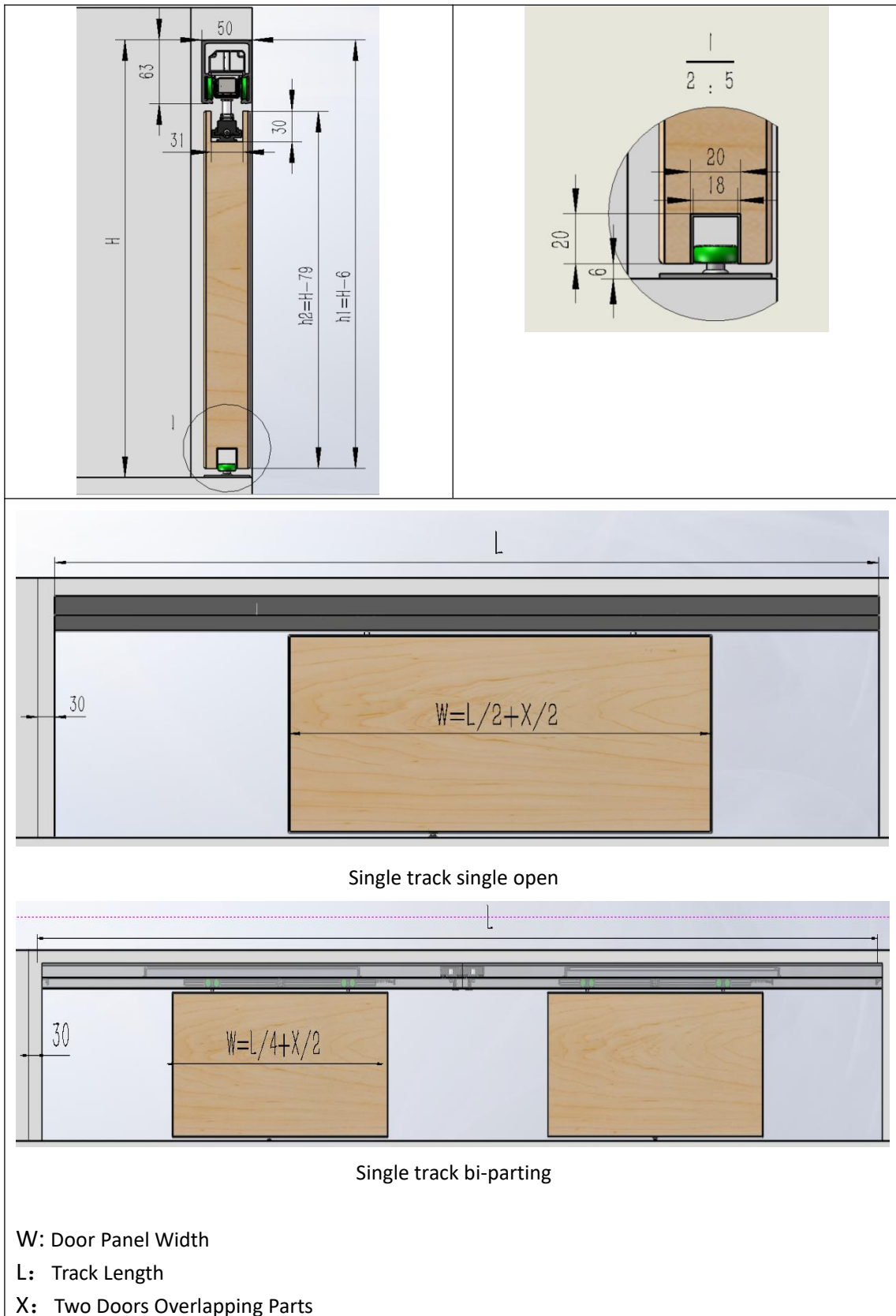
◆ Standard Accessories

Accessory Name	Description of related parameters	Single open system (PCS)	Bi-parting system (PCS)
 <p>25 Upper load-bearing hanger</p>		2	4
 <p>25 Base</p>		2	4
 <p>Balance wheel</p>		1	2

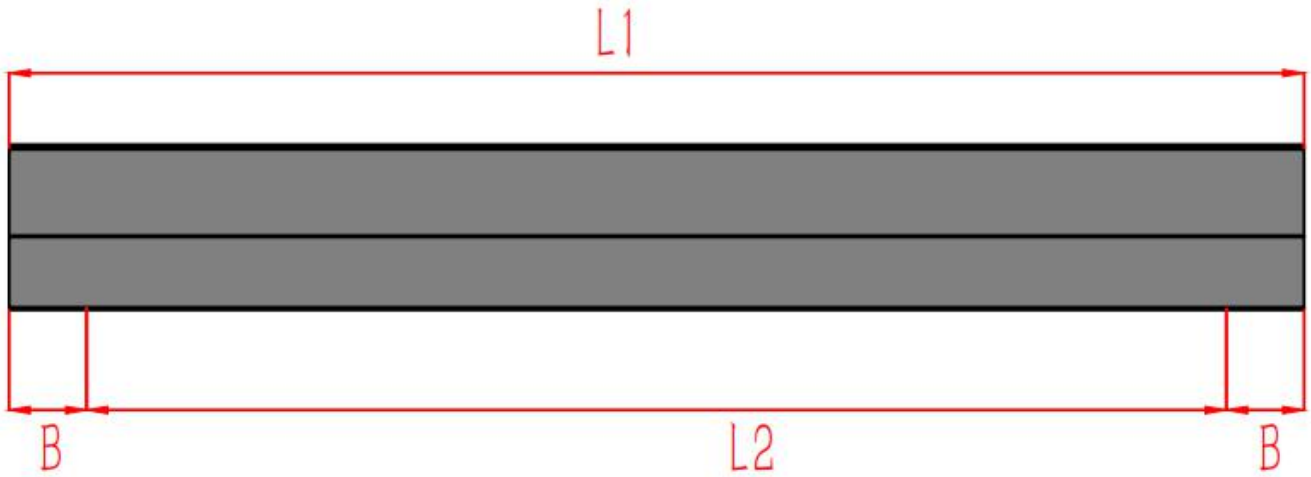
◆ Schematic diagram of installation method (the figure is based on 5063 track)



◆ Installation parameters



◆ Cutting Track - Single Open System



$$B = \frac{L1 - L2}{2}$$

Single open track length L1(mm)	1800	2400	3000
Wall opening size(mm)	1300-1800	1800-2400	2400-3000

)

**Remark:**

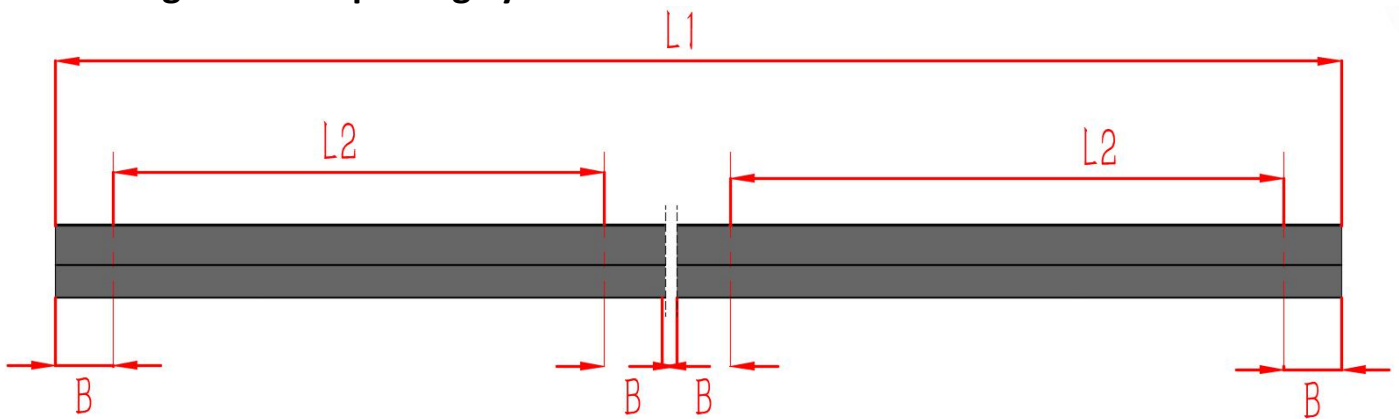
**L1** :The length of the track itself

**L2**: is actual wall opening size width

**B** : Length cut at both ends

(1/2 of the adjustable length of the track)

◆ Cutting Track - Bi-parting System



$$B = \frac{L1 - 2 * L2}{4}$$

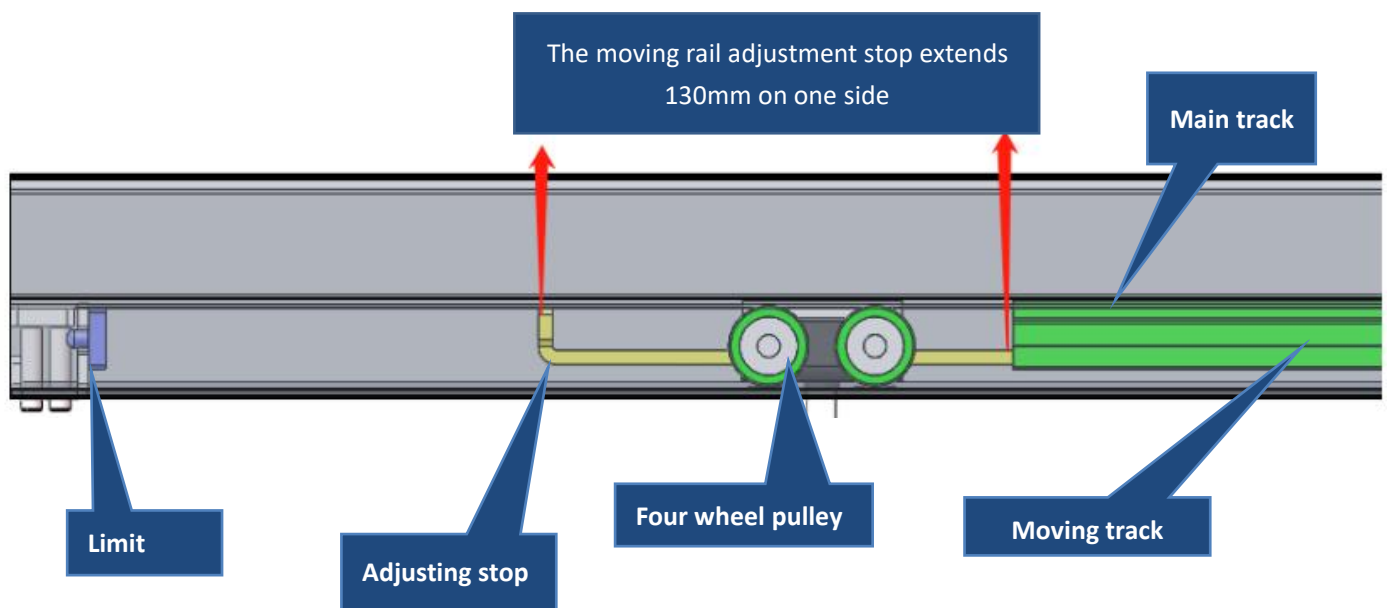
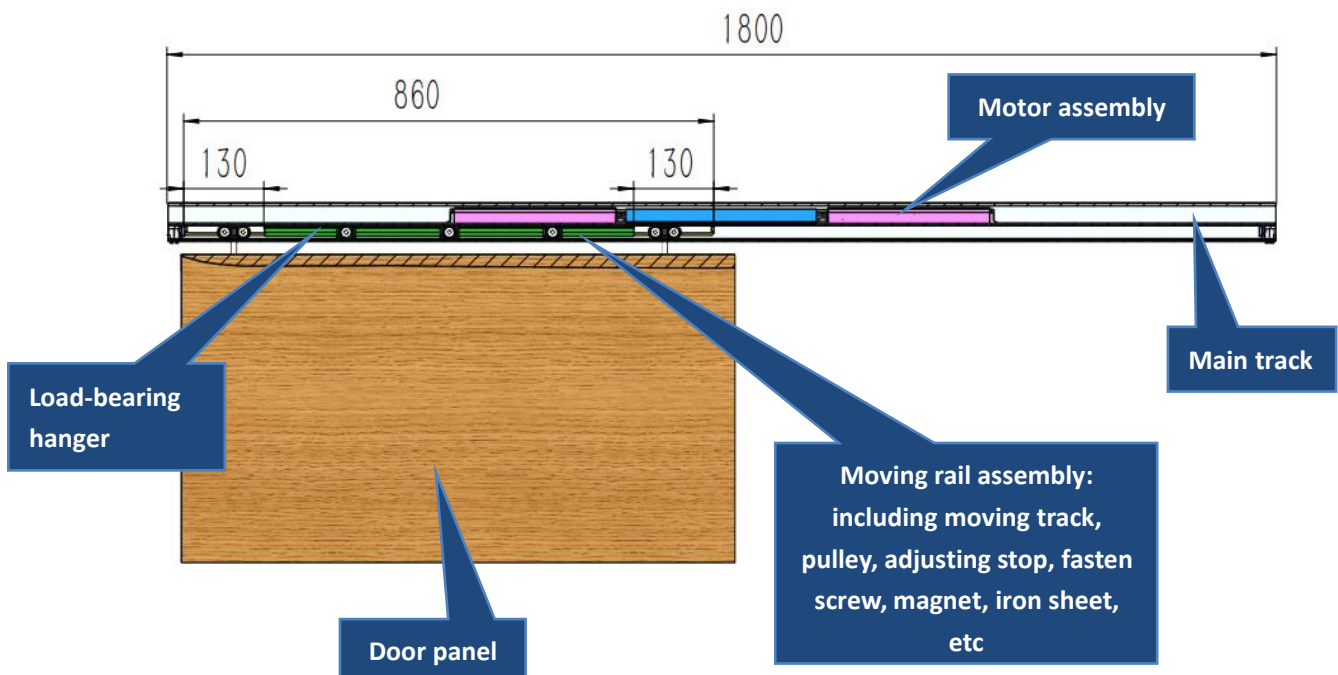
Bi-parting track length L1(mm)	1800+1800	2400+2400	3000+3000
Wall opening size(mm)	2600-3600	3600-4800	4800-6000

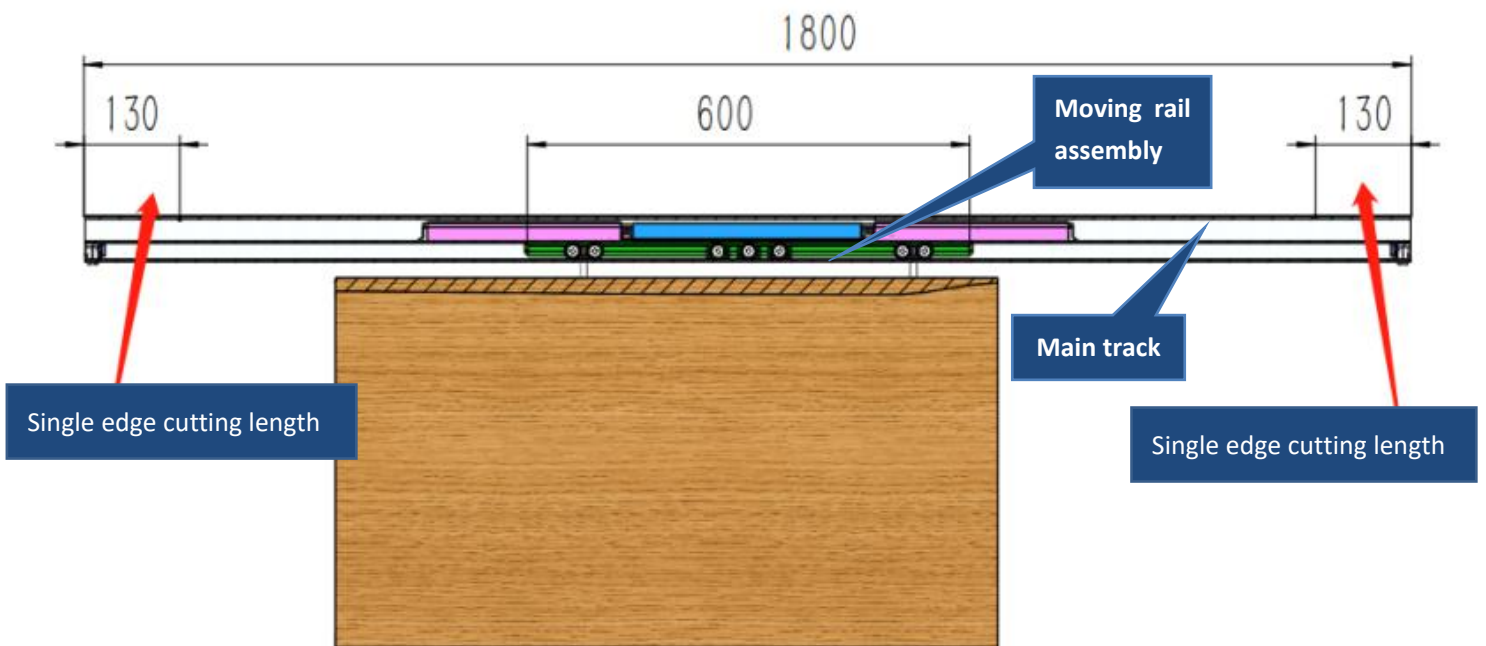
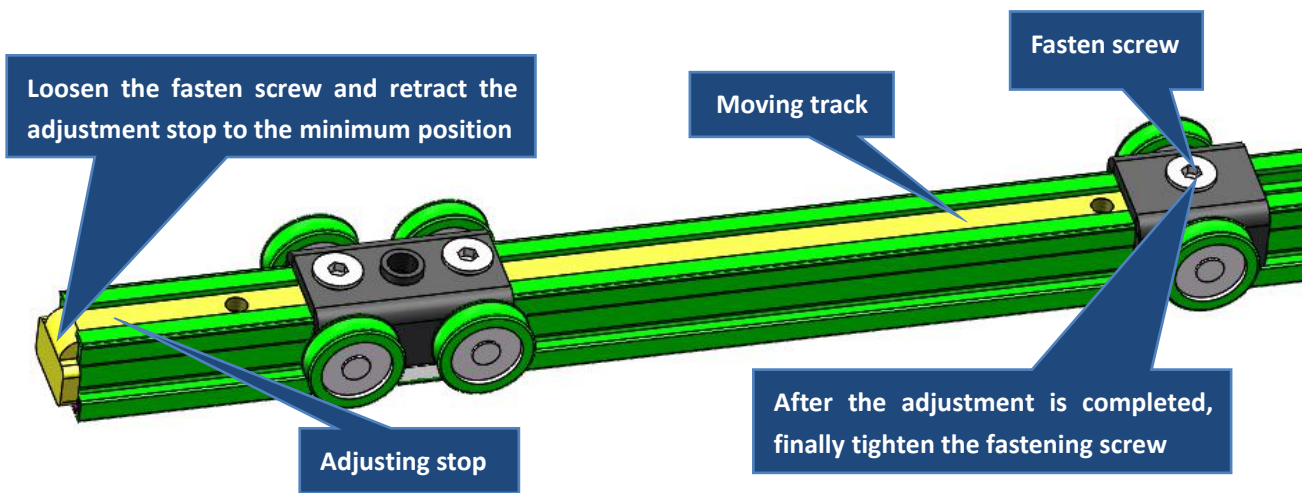
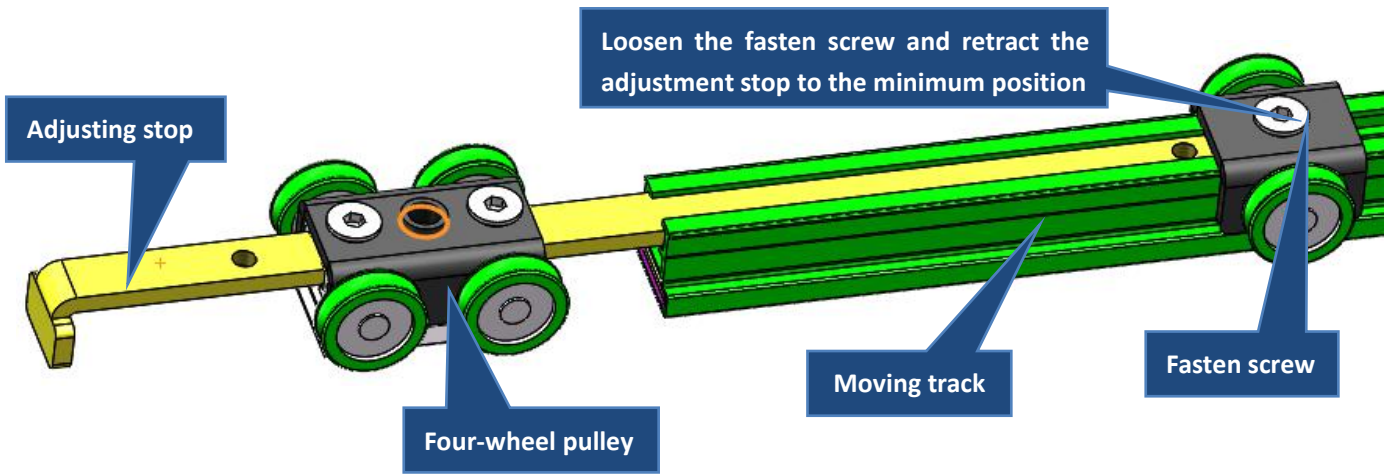
## ◆ Product Specifications and Adjustment Range Reference Table

42 Series	Model	Single track	Two sets put together to make Bi-parting	Upper limit of single door weight	The track can be cut to the shortest	Adjustable length	Remark	Length of single track	Length of Bi-parting track
15	5063 Track	1.8m	3.6m	80kg	1.3m	0.5m	Hanging door / ground rail door	1.3-1.8m	2.6-3.6m
30	5063 Track	2.4m	4.8m	160kg	1.8m	0.6m	Hanging door 120kg/ground rail door 160kg	1.8-2.4m	3.6-4.8m
45	5063 Track	3.0m	6.0m	220kg	2.4m	0.6m	Hanging door 120kg/ground rail door 220kg	2.4-3.0m	4.8-6.0m

48 Series	Model	Single track	Two sets put together to make Bi-parting	Upper limit of single door weight	The track can be cut to the shortest	Adjustable length	Remark	Length of single track	Length of Bi-parting track
21	5867 Track	2.4m	4.8m	120kg	1.8m	0.6m	Hanging door 160kg/ ground rail door 160kg	1.8-2.4m	3.6-4.8m
30	5867 Track	3.0m	6.0m	200kg	2.4m	0.6m	Hanging door 220kg/ground rail door 220kg	2.4-3.0m	4.8-6.0m
45	5867 Track	3.0m	6.0m	300kg	2.4m	0.6m	Hanging door 220kg/ground rail door 320kg	2.4-3.0m	4.8-6.0m
60	5867 Track	3.0m	6.0m	400kg	2.4m	0.6m	Hanging door 220kg/ground rail door 400kg	2.4-3.0m	4.8-6.0m

◆ Single opening system adjustment and cutting diagram

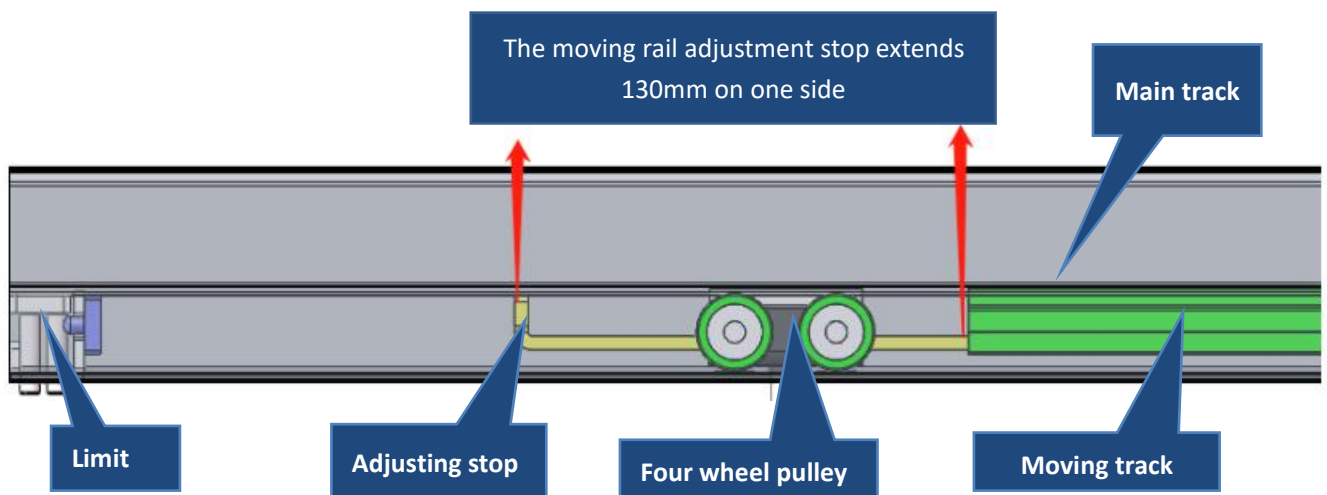


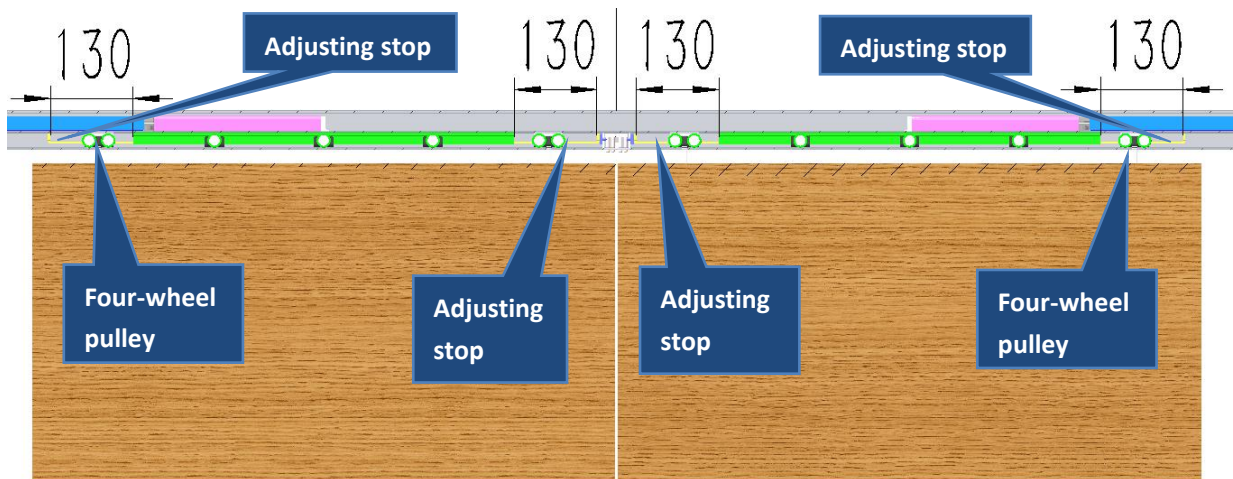
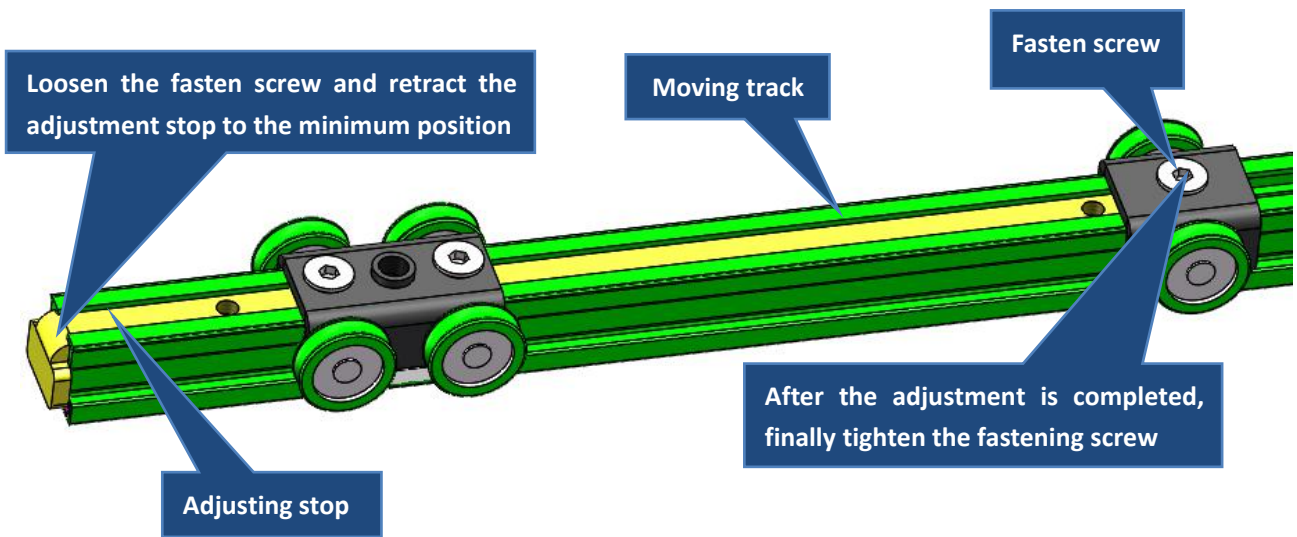
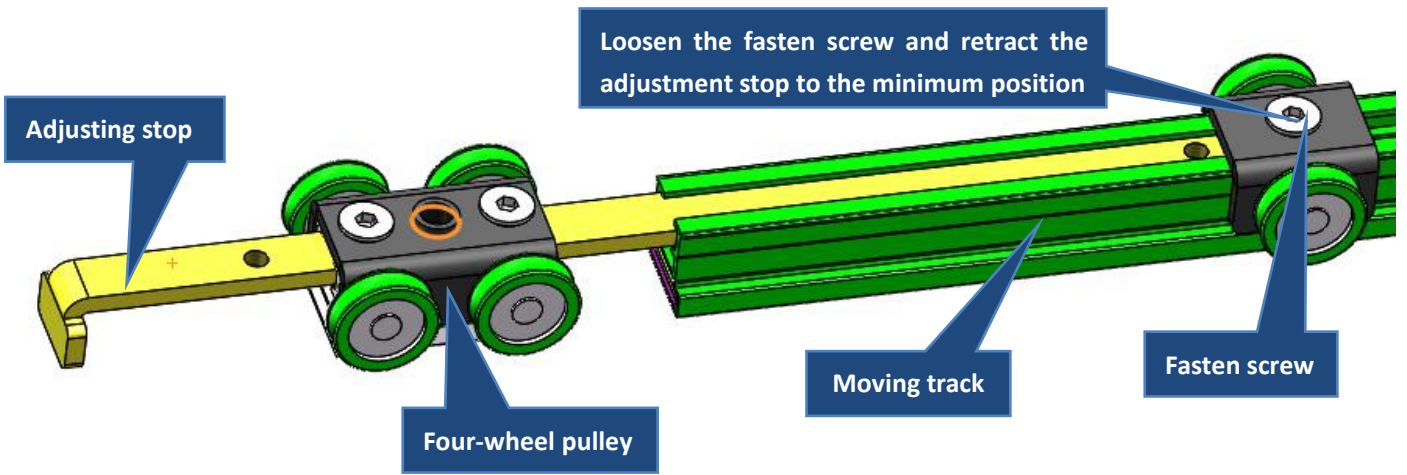


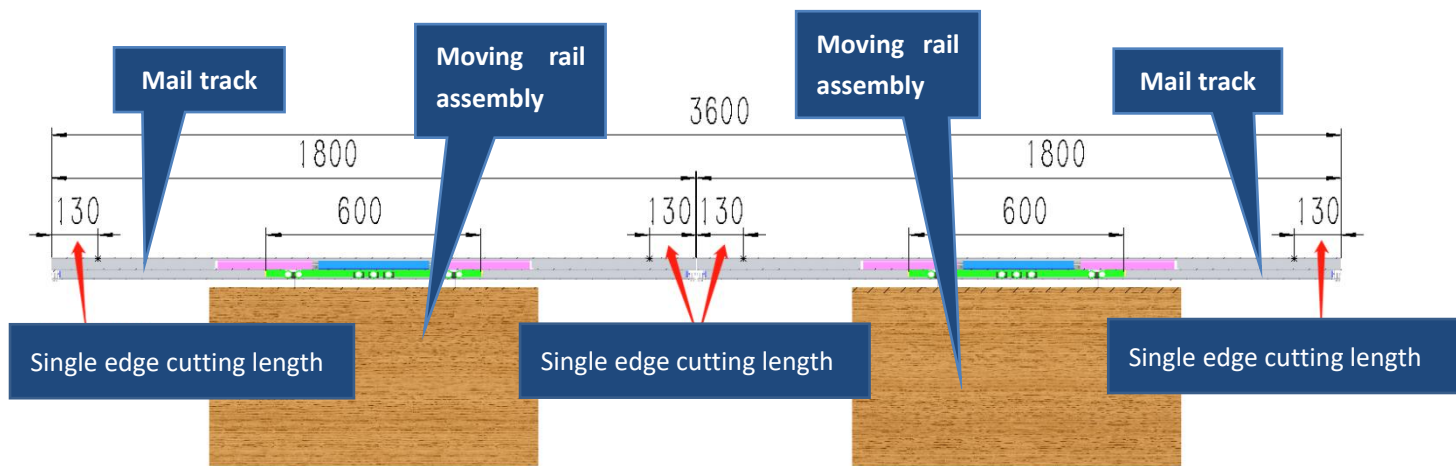


**Example of Single-open system adjustment:** When the length of the **main rail** is 1800mm, the length of the **moving rail** is 860mm (Note: 860mm includes the length of the moving rail adjustment stop, and the current maximum length is 130mm for unilateral adjustment). Adjust the length of the stopper to change the overall length of the moving rail, and then cut the excess length of the main rail to adjust to the size of the wall opening size . If the retraction distance X of the stopper is adjusted, the overall length of the moving rail will be shortened by 2X, the unilateral cutting length of the main rail will be 2X, the overall length of the main rail will be shortened by 2\*2X, and the overall size will become  $1800\text{mm}-2*2X$ . (When the maximum length of the stopper is adjusted to 130mm on one side, the length of the moving rail becomes  $(860-260=600\text{mm})$ , the unilateral cutting length of the main rail is 260mm, and the overall length of the main rail becomes  $(1800-2*260=1280\text{mm})$ .)

◆ **Bi-parting system adjustment and cutting diagram (two identical tracks are spliced together)**







**Example of Bi-parting system adjustment:** When the length of the bi-parting main rail system is 3600mm, then the length of the single main rail is 1800mm, of which the length of each moving rail is 860mm **(Note: 860mm includes the length of the moving rail adjustment stop, and the current maximum length for unilateral adjustment is 130mm)**. When the size of the wall opening is smaller than the length of the bi-parting main track  $2*1800=3600$ mm, the length of the entire moving rail can be changed by adjusting the length of the adjustment stopper in the two moving rail assemblies, and then the excess main rail length can be cut and adjusted to suit wall opening size. If the retracting distance X of the stopper is adjusted, the overall length of the single moving rail will be shortened by 2X, the single side cutting length of the single main rail will be 2X, the overall length of the single main rail will be shortened by  $2*2X$ , and the overall size of the bi-parting main rail system will become  $[2*(1800-2*2X)]$ mm, (if the maximum length of one side is adjusted to 130mm by adjusting the stopper, then the length of the single moving rail becomes  $(860-260=600)$ mm), and the single side cutting length of the single main rail is 260mm, The overall length of the bi-parting main track system will change from 3600mm to  $[2*(1800-2*260)=2560]$ mm.

◆ **Precautions For Bi-parting System (Splicing of two identical tracks)**

Picture	Item Name	Connection picture	Precautions	Remark
	Linkage line male		1. During the splicing process of the bi-parting system, find the linkage line with the purple line and the gray line, and plug the female head of the linkage line with the male head to complete the bi-parting linkage system <b>(pay attention to the direction)</b> .	
	Linkage line female			
	Short cap		2. In the splicing process of bi-parting system, find the signal function lines with six colors (the end without switch), and insert the orange line short-circuit cap with the signal function line <b>(note that the black line and orange line are short-circuit)</b> .	
	Signal function line			